

## PEP Ergo Slab Props

High load-bearing capacity with low self-weight



# PERI PEP Ergo

## The new generation of slab props

**With the PEP Ergo, PERI presents a new generation of props which are characterised by a further increase in load-bearing capacity and many trend-setting detailed solutions with low individual component weights.**

The design of the PEP Ergo props is in dependence on the European standard specifications.

### ■ High load-bearing capacity = fewer props

The capacity factor – defined as the load-bearing capacity to prop weight ratio – can reach up to 70% above the values of comparable slab props.

PERI PEP Ergo props fully comply with Load Class B resp. D of EN 1065. The max. bearing capacity is 35 kN.



The PEP Ergo B-300 weighs only 13.9 kg and carries as maximum 30 kN.

■ **Large adjustment range = fast forming**

Due to the large adjustment range of 12 cm, the G-hook only seldom needs to be re-positioned. In addition, the proven, integrated measuring scale in the form of stamped numbers on the inner tube ensures efficient and error-free working on the construction site.

■ **Low risk of injury = safe forming**

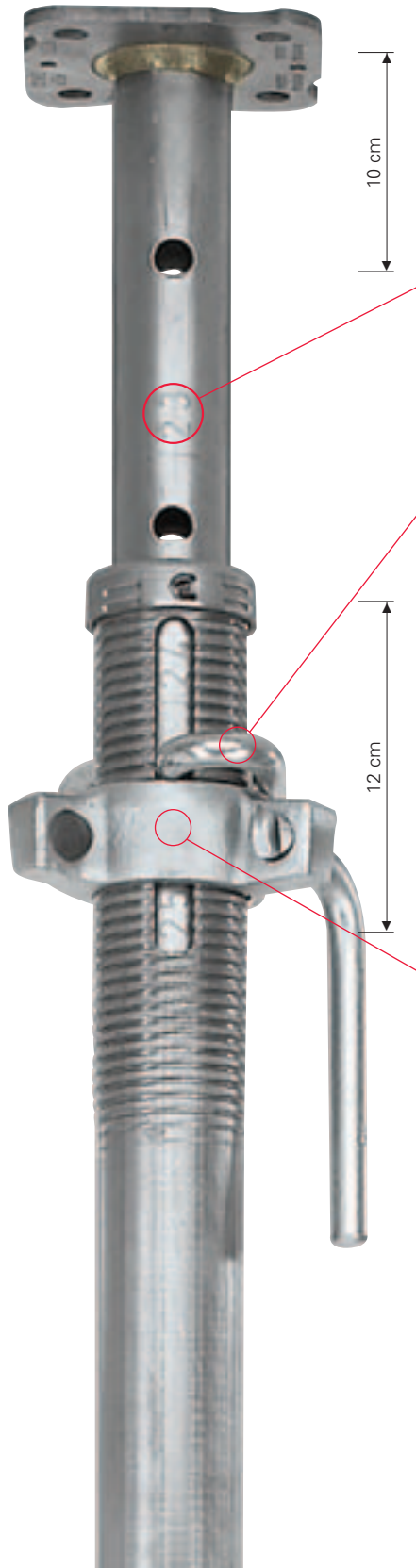
The integrated anti-pinch feature with a safety clearance of 10 cm at the top end protects the user against injury. The integrated fail-safe device prevents the inner tube from unintentionally falling out.

■ **Simple logistics**

Robust, always visible and easily readable stamped indicia on the head and base plates ensure fast and safe identification of the stored props also within the stacking pallets.



The length stamping on the PEP Ergo props is clearly readable.



**Low risk of injury**

The integrated 10 cm safety clearance protects against injuries.

**Stamped measuring scale**

For faster prop length adjustment. Stamped numbers on the inner tube show the overall length in dm, readable at the end of the outer tube.

**Good handling**

The G-hook is ergonomically formed and can be securely clamped.

**Generous adjustment range**

The large adjustment range of 12 cm makes frequent pin adjustment unnecessary.

**High grade three-wing nut.**

High-quality nut with hardened bearing surface and double-thread for easy loosening even under full loads.

# PERI PEP Ergo

## Well-developed features for faster forming



### ■ Long service life

The complete galvanisation of all surfaces guarantees a long service life. The new closing nut additionally provides a unique repair capability. This allows defective inner and outer tubes to be easily replaced.

### ■ Assembly of accessories

Naturally, the use of all PERI props heads (supports) is guaranteed and is also usable on both sides through the identical end plates on the inner and outer tubes.



GRIDFLEX Prophead GFH fitted to the inner tube.



MULTIFLEX Crosshead fitted to the outer tube.

■ **New adjusting nut**

The form of the lowering nut dictates the direction of lowering the load and ensures that lowering is carefully carried out also under maximum load.



The adjusting nut has a generously-sized hammer striking face and determines the impact direction.



PERI Ergo props can be easily adjusted with the help of the captive handgrip.

■ **Assembly aids**

The PERI Ergo tripod or the PERI PRK frame are used as assembly aids.



The PERI Ergo tripod and the PERI PRK frame are used as assembly aids.

# Slab Props

## PEP Ergo

### Permissible Prop Load [kN]

Extension Length [m]	PEP Ergo D-250 L = 1.47 – 2.50 m		PEP Ergo B-300 L = 1.97 – 3.00 m		PEP Ergo B-350 L = 2.25 – 3.50 m	
	Outer Tube Bottom	Inner Tube Bottom	Outer Tube Bottom	Inner Tube Bottom	Outer Tube Bottom	Inner Tube Bottom
1.50	35.0	35.0				
1.60	35.0	35.0				
1.70	32.9	35.0				
1.80	30.7	35.0				
1.90	29.1	35.0				
2.00	28.1	35.0	30.0	30.0		
2.10	27.3	35.0	29.8	30.0		
2.20	26.5	34.1	27.0	30.0		
2.30	25.7	32.3	24.6	30.0	30.0	28.6
2.40	24.3	29.4	23.0	30.0	28.6	28.6
2.50	22.4	26.3	21.5	30.0	25.5	28.6
2.60			20.3	29.5	23.1	28.4
2.70			19.3	27.5	21.3	28.0
2.80			18.3	24.8	19.8	27.4
2.90			16.9	22.3	18.6	26.1
3.00			15.6	20.2	17.5	24.4
3.10					16.3	22.8
3.20					15.2	20.8
3.30					14.3	19.0
3.40					13.3	17.4
3.50					12.4	15.7

#### Note:

The load-bearing capacity of the PEP Ergo D-250 corresponds to Class B+ D of EN 1065.

The load-bearing capacity of the PEP Ergo B-300 and B-350 corresponds to Class B of EN 1065.





# PEP Ergo Slab Props

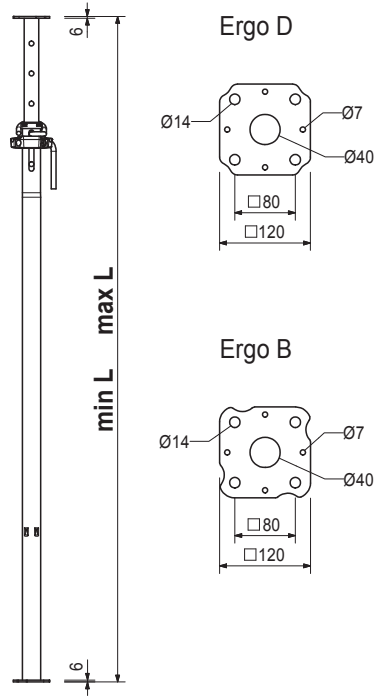
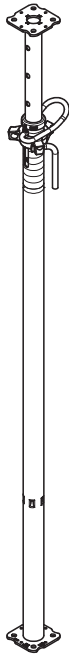


Item no.	Weight kg
116770	13,000
116780	13,900
116790	15,500

**PEP Ergo Slab Props**  
**PEP Ergo D-250 Slab Prop**  
**PEP Ergo B-300 Slab Prop**  
**PEP Ergo B-350 Slab Prop**  
 Steel slab prop.

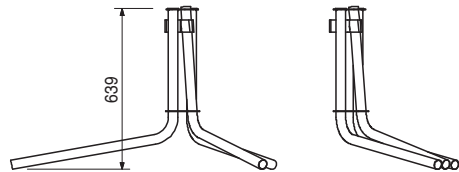
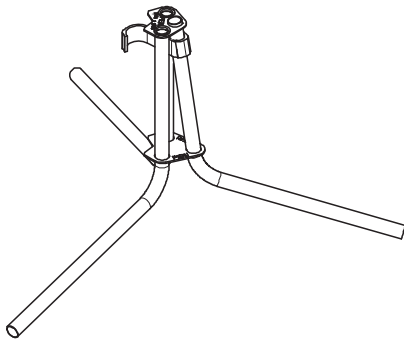
min. L	max. L
1470	2500
1970	3000
2250	3500

**Note**  
 Permissible load: see PERI Design Tables.



107152	5,810
--------	-------

**Tripod PEP Ergo, galv.**  
 Assembly aid for PEP Ergo slab props with  $\varnothing 44 - 64$  mm.





# PEP Ergo Slab Props

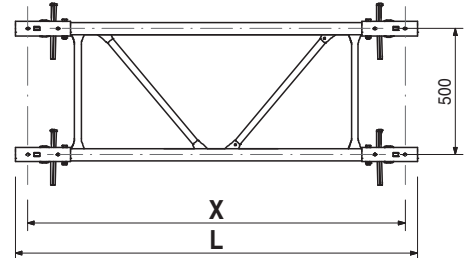
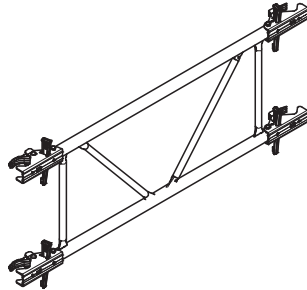


Item no.	Weight kg
111811	13,700
111812	13,900
112813	15,900
112814	17,800
111813	19,200
111814	20,100

**PEP Frames PRK Steel**  
**PEP Frame PRK 62.5**  
**PEP Frame PRK 75**  
**PEP Frame PRK 100**  
**PEP Frame PRK 120**  
**PEP Frame PRK 137.5**  
**PEP Frame PRK 150**

L	X
723	625
848	750
1098	1000
1298	1200
1473	1375
1598	1500

Bracing frame for PEP slab props. With captive wedge coupling.

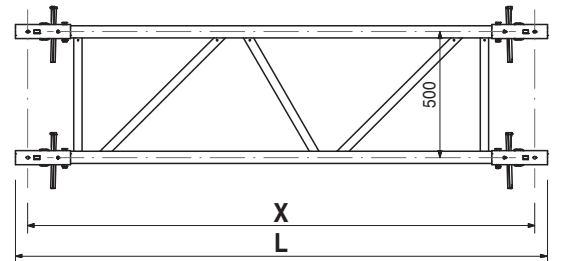
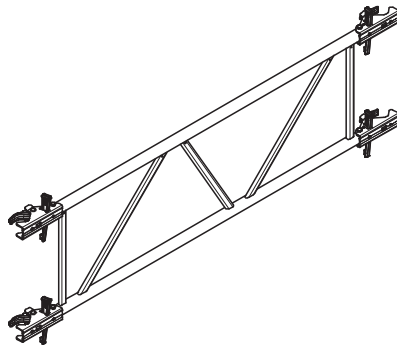


115980	14,700
112718	15,300
111815	15,400
112788	15,600
111816	16,200
111817	16,300
111818	17,700
111819	18,600

**PEP Frames PRK**  
**PEP Frame PRK 180**  
**PEP Frame PRK 200**  
**PEP Frame PRK 201.5**  
**PEP Frame PRK 210**  
**PEP Frame PRK 225**  
**PEP Frame PRK 230**  
**PEP Frame PRK 266**  
**PEP Frame PRK 296**

L	X
1098	1800
2098	2000
2113	2015
2198	2100
2348	2250
2398	2300
2758	2660
3058	2960

Bracing frame for PEP slab props. With captive wedge coupling.



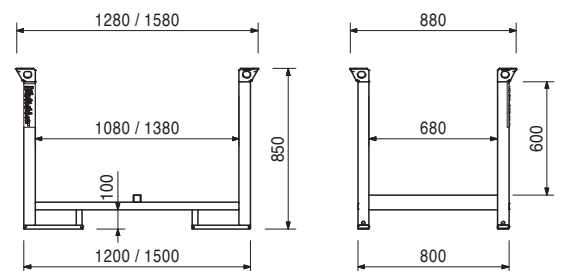
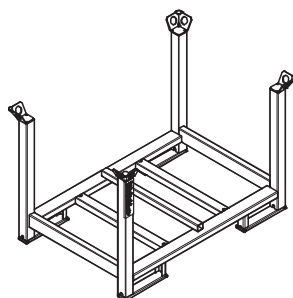
103434	33,400
103429	40,200

**Pallets RP-2, galv.**  
**Pallet RP-2 80 x 120, galv.**  
**Pallet RP-2 80 x 150, galv.**

For stacking and transporting of formwork and scaffold components.

### Safety instructions

Load-bearing capacity 1.5 t.  
 Follow Instructions for Use!





**01 PERI GmbH**  
 Rudolf-Diesel-Strasse  
 89264 Weissenhorn  
 info@peri.com  
 www.peri.com



**02 France**  
 PERI S.A.S.  
 77109 Meaux Cedex  
 peri.sas@peri.fr  
 www.peri.fr

**03 Switzerland**  
 PERI AG  
 8472 Ohringen  
 info@peri.ch  
 www.peri.ch

**04 Spain**  
 PERI S.A.  
 28110 Algete - Madrid  
 info@peri.es  
 www.peri.es

**05 Belgium/Luxembourg**  
 N.V. PERI S.A.  
 1840 Londerzeel  
 info@peri.be  
 www.peri.be

**06 Netherlands**  
 PERI B.V.  
 5480 AH-Schijndel  
 info@peri.nl  
 www.peri.nl

**07 USA**  
 PERI Formwork Systems, Inc.  
 Elkridge, MD 21075  
 info@peri-usa.com  
 www.peri-usa.com

**08 Indonesia**  
 PT Beton Perkasa Wijaksana  
 Jakarta 10210  
 bpw@betonperkasa.com  
 www.peri.com

**09 Italy**  
 PERI S.p.A.  
 20060 Basiano  
 info@peri.it  
 www.peri.it

**10 Japan**  
 PERI Japan K.K.  
 Tokyo 103-0015  
 info@perijapan.jp  
 www.perijapan.jp

**11 United Kingdom/Ireland**  
 PERI Ltd.  
 Rugby, CV23 0AN  
 info@peri.ltd.uk  
 www.peri.ltd.uk

**12 Turkey**  
 PERI Kalıp ve İskeleleri  
 Esenyurt / İstanbul 34510  
 info@peri.com.tr  
 www.peri.com.tr

**13 Hungary**  
 PERI Kft.  
 1181 Budapest  
 info@peri.hu  
 www.peri.hu

**14 Malaysia**  
 PERI Formwork Malaysia  
 Sdn. Bhd.  
 43300 Seri Kembangan,  
 Selangor Darul Ehsan  
 info@perimalaysia.com  
 www.perimalaysia.com

**15 Singapore**  
 PERI ASIA Pte. Ltd  
 Singapore 387355  
 pha@periasia.com  
 www.periasia.com

**16 Austria**  
 PERI Ges.mbh  
 3134 Nußdorf ob der Traisen  
 office@peri.at  
 www.peri.at

**17 Czech Republic**  
 PERI spol. s r.o.  
 252 42 Jesenice u Prahy  
 info@peri.cz  
 www.peri.cz

**18 Denmark**  
 PERI Danmark A/S  
 2670 Greve  
 peri@peri.dk  
 www.peri.dk

**19 Finland**  
 PERI Suomi Ltd. Oy  
 05460 Hyvinkää  
 info@perisuomi.fi  
 www.perisuomi.fi

**20 Norway**  
 PERI Norge AS  
 3036 Drammen  
 info@peri.no  
 www.peri.no

**21 Poland**  
 PERI Polska Sp. z o.o.  
 05-860 Płochocin  
 info@peri.pl.pl  
 www.peri.pl.pl

**22 Sweden**  
 PERIform Sverige AB  
 30013 Halmstad  
 peri@periform.se  
 www.periform.se

**23 Korea**  
 PERI (Korea) Ltd.  
 Seoul 135-080  
 info@perikorea.com  
 www.perikorea.com

**24 Portugal**  
 PERIcofragens Lda  
 2790-326 Queijas  
 info@peri.pt  
 www.peri.pt

**25 Argentina**  
 PERI S.A.  
 B1625GPA Escobar – Bs. As.  
 info@peri.com.ar  
 www.peri.com.ar

**26 Brazil**  
 PERI Formas e  
 Escoramentos Ltda.  
 Vargem Grande Paulista  
 São Paulo  
 info@peribrasil.com.br  
 www.peribrasil.com.br

**27 Chile**  
 PERI Chile Ltda.  
 Colina, Santiago de Chile  
 peri.chile@peri.cl  
 www.peri.cl

**28 Romania**  
 PERI România SRL  
 077015 Balotești  
 info@peri.ro  
 www.peri.ro

**29 Slovenia**  
 PERI Slovenien  
 2000 Maribor  
 peri.slo@triera.net  
 www.peri.com

**30 Slovakia**  
 PERI spol. s r.o.  
 903 01 Senec  
 info@peri.sk  
 www.peri.sk

**31 Australia**  
 PERI Australia Pty. Ltd.  
 Glendenning NSW 2761  
 info@periaus.com.au  
 www.periaus.com.au

**32 Estonia**  
 PERI AS  
 76406 Saku vald  
 Harjumaa  
 peri@peri.ee  
 www.peri.ee

**33 Greece**  
 PERI Hellas Ltd.  
 194 00 Koropi  
 info@perihellas.gr  
 www.perihellas.gr

**34 Latvia**  
 PERI SIA  
 2118 Salaspils novads,  
 Rigas rajons  
 info@peri-latvija.lv  
 www.peri-latvija.lv

**35 United Arab Emirates**  
 PERI (L.L.C.)  
 Dubai  
 perillc@perime.com  
 www.perime.com



- 36 Canada**  
PERI Formwork Systems, Inc.  
Bolton, ON – L7E 1K1  
info@peri.ca  
www.peri.ca
- 37 Lebanon**  
Lebanon Representative Office  
Jdeideh  
lebanon@peri.de  
www.peri.de
- 38 Lithuania**  
PERI UAB  
02300 Vilnius  
info@peri.lt  
www.peri.lt
- 39 Morocco**  
PERI S.A.  
Tanger  
peri25@menara.ma  
www.peri.com
- 40 Israel**  
PERI Formwork  
Engineering Ltd  
Petach Tikva, 49002  
info@peri.co.il  
www.peri.co.il
- 41 Bulgaria**  
PERI Bulgaria EOOD  
1839 Sofia  
peri.bulgaria@peri.bg  
www.peri.bg
- 42 Iceland**  
Armar ehf.  
220 Hafnarfjörður  
www.armor.is
- 43 Kazakhstan**  
TOO PERI Kazakhstan  
050010 Almaty  
peri@peri.kz  
www.peri.kz
- 44 Russian Federation**  
OOO PERI  
142403 Noginsk  
moscow@peri.ru  
www.peri.ru
- 45 South Africa**  
Wiehahn Formwork and  
Scaffolding (Pty) Ltd.  
7600 Stellenbosch  
info@wiehahn.co.za  
www.wiehahn.co.za
- 46 Ukraine**  
TOW PERI Ukraina  
07400 Brovary  
peri@peri.ua  
www.peri.ua
- 47 Egypt**  
Egypt Branch Office  
11361 Heliopolis / Cairo  
info@peri.com.eg  
www.peri.com.eg
- 48 Serbia**  
PERI Oplate d.o.o.  
11272 Dobanovci  
office@peri.co.yu  
www.peri.co.yu
- 49 Mexico**  
PERI Cimbras y Andamios,  
S.A. de C.V.  
Estado de México,  
info@peri.com.mx  
www.peri.com.mx
- 50 Azerbaijan**  
PERI Kalıp ve İskeleleri  
Baku  
peribaku@peri.com.tr  
www.peri.com.tr
- 51 Turkmenistan**  
PERI Kalıp ve İskeleleri  
Aşgabat  
ahmet.kadioglu@peri.com.tr  
www.peri.com.tr
- 52 Belorussia**  
PERI Belarus  
220030 Minsk  
peri@mail.belpak.by  
www.peri.com
- 53 Croatia**  
PERI oplate i skele d.o.o.  
10 250 Donji Stupnik/  
Zagreb  
info@peri.com.hr  
www.peri.com.hr
- 54 Iran**  
PERI GmbH  
Iran Branch Office  
Tehran  
info@peri.ir  
www.peri.ir
- 55 India**  
PERI (India) Pvt Ltd  
Mumbai – 400064  
info@peri.in  
www.peri.in
- 56 Jordan**  
PERI GmbH - Jordan  
11947 Amman  
jordan@peri.com  
www.peri.com
- 57 Kuwait**  
PERI Kuwait  
13011 Kuwait  
kuwait@peri.com  
www.peri.com
- 58 Saudi Arabia**  
PERI Engineering  
Division of Jamjoom  
Consult Saudi Arabia  
21463 Jeddah  
info@peri.com.sa  
www.peri.com.sa
- 59 Qatar**  
PERI Qatar LLC  
Doha  
info@periqatar.com  
www.periqatar.com
- 60 Algeria**  
Société PERI S.A.S.  
Kouba - Alger  
peri.alger@peri.fr  
www.peri.fr
- 61 Albania**  
PERI Sh.p.k.  
Tirane  
erti.hasanaj@peri.com.tr  
www.peri.com.tr
- 62 Peru**  
PERI Peruana SAC  
Chorrillos, Lima  
contacto@peri.com.pe  
www.peri.com.pe
- 63 Panama**  
PERI Panama Inc.  
587 Panama City  
info@peri.com.pa  
www.peri.com.pa
- 64 Angola**  
PERIcofragens, Lda.  
Luanda  
renato.portugal@peri.pt  
www.peri.pt
- 65 Nigeria**  
Heights Access Nigeria Ltd.  
Victoria Island, Lagos  
info@heightsaccessng.com  
www.heightsaccessng.com
- 66 Oman**  
PERI (L.L.C.)  
Muscat  
perimct@perime.com  
www.perime.com

# PERI Product Range



## Wall Formwork

Panel Formwork  
Girder Formwork  
Circular Formwork  
Facade Formwork  
Brace Frame



## Climbing Systems

Climbing Scaffold  
Self-Climbing System  
Climbing Protection Panel  
Platform Systems



## Column Formwork

Square  
Rectangular  
Circular



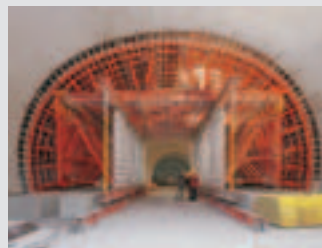
## Scaffold, Stairways, Working Platforms

Facade Scaffold  
Working Platform  
Weather Protection Roof  
Stairway Access



## Slab Formwork

Panel Formwork  
Beam Grid Formwork  
Girder Formwork  
Slab Table  
Beam Formwork



## Bridge and Tunnel Formwork

Cantilevered Parapet Carriage  
Cantilevered Parapet Platform  
Engineer's Construction Kit



## Shoring Systems

Steel Slab Props  
Aluminium Slab Props  
Tower Systems  
Heavy-Duty Props



## Services

Formwork Assembly  
Cleaning / Repairs  
Formwork Planning  
Software  
Statics  
Special Constructions

Additional Systems  
Plywood  
Formwork Girders  
Stopend Systems  
Pallets  
Transportation Containers



## PERI GmbH Formwork Scaffolding Engineering

P.O. Box 1264  
89259 Weissenhorn  
Germany  
Tel +49 (0)73 09.9 50-0  
Fax +49 (0)73 09.9 51-0  
info@peri.com  
www.peri.com