

Kiwa GmbH
TBU
Gutenbergstraße 29
D-48268 Greven

Kiwa GmbH - TBU, Gutenbergstraße 29, D-48268 Greven

BPA-GmbH
Behringstrasse 12
71083 Herrenberg-Gültstein
GERMANY

T: +49 (0) 2571 9872 - 0
F: +49 (0) 2571 9872 - 99
E: infokiwagreven@kiwa.de

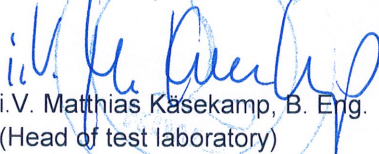
www.kiwa.de

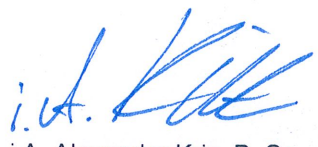


Die Akkreditierung gilt für die in der Urkundenanlage D-PL-11217-01-01 aufgeführten Prüfverfahren.

Project: -
Factory: -
Date of order: 07 February 2017
Test request: Determination of resistance to hydrostatic pressure (ASTM D 5385:2014)
Material: PVC sealing membrane (transparent with onesided PP nonwoven (white)
a) **DualProof 1,2 (Werk I)**
Number of samples: 1 roll
Sampling: by customer
Sample delivery date: 17.10.2016 / 07.02.2017
Test duration: 17 October 2016 - 18 December 2018

Greven, 18 December 2018


i.V. Matthias Käsekamp, B. Eng.
(Head of test laboratory)


i.A. Alexander Kriz, B. Sc.
(staff of test laboratory)

Determination of resistance to hydrostatic pressure (ASTM D 5385:2014)

Test parameters

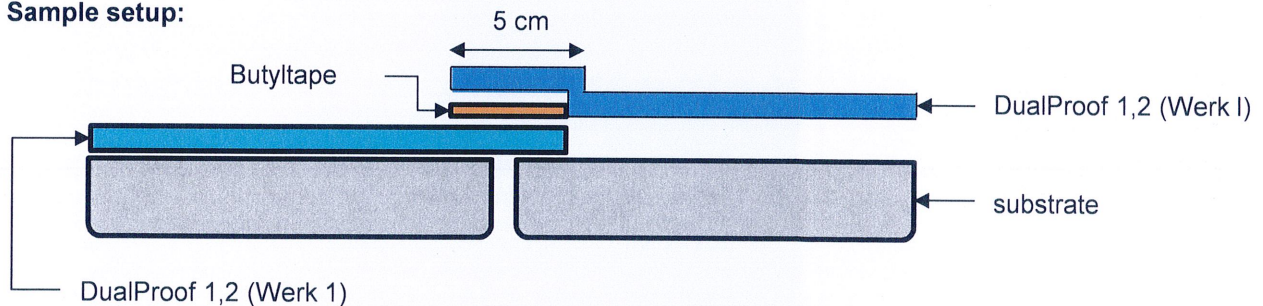
Thickness of membrane	:	1,2 mm (declaration by customer)
Test temperature	:	5°C
Number of specimen	:	3
Width of kerf	:	3,2 mm
Hydrostatic pressure range	:	0 to 690 kPa
Pressure steps	:	103 kPa
Observation time for each step	:	1 h

Results

Sample No.	Passed hydrostatic pressure step in kPa	Passed head of water in mH ₂ O
1	690	69,0
2	690	69,0
3	690	69,0
Mean value	690	69,0
Standard deviation	-	-

No leakage could be detected with a load of 690 kPa for 1h

Sample setup:



overlap was bonded with butyltape

