

MAXIMO Bracket System MXK

The flexible working platform solution with lightweight brackets

Product Brochure





MAXIMO Bracket System MXK

The flexible working platform solution with lightweight brackets

With the Bracket System MXK, safe and comfortable working platforms are realized on MAXIMO and TRIO panel formwork. Unlike conventional solutions, the Bracket System MXK consists of combinable system components which can be manually pre-assembled on the formwork element whilst on the ground.

Standard assemblies of the Bracket System MXK are realized with 2.40 m, 1.20 m or 0.90 m widths – adapted therefore to match the dimensions of the MAXIMO and TRIO panel formwork elements. The working platforms are mounted on the element of the corresponding width and also remain attached to the formwork during temporary storage.

In contrast to conventional solutions, the MXK has a modular design: the most important system component is the bracket; it can be completed with different types of decking and PROKIT Side Mesh Barriers to form a working platform. Alternatively, wooden planks can be used as decking or wooden boards for side protection.

The supplementary system components such as decks with access hatches, ladder access, system solutions for internal and external corners as well as length compensations ensure a consistently reliable solution in all areas.

Modular design

Individual assembly depending on requirements through combinable system components

Safe application

High level of safety through the use of lightweight system components and assembly by hand on the ground

Low installation effort

The core components are mounted just once and remain on the formwork also during temporary storage

Modular applicable system components

Individual configuration of the Bracket System MXK

The Bracket System MXK allows different combinations for realization of the platforms. Thus, for example, system decking with wooden or steel variants; as an option, wooden planks can be attached to the brackets. This modularity provides a high level of flexibility for adapting the system to suit the respective jobsite requirements.

The working platforms are realized using a minimum of lightweight system components. The most important element is the Scaffold Bracket MXK which is mounted on the MAXIMO or TRIO panel formwork, and serves as a support for the decking. The brackets can be used with different system components as well as conventional timber solutions – according to the exact requirements or availability of materials at the jobsite.

Scaffold Decks MXK are available as both wood and steel versions – both variants in different lengths as well as with access hatches.



Combination options for assembly of the platform system

Design variants for the scaffold brackets

- Scaffold brackets with or without push-pull prop connections

Design variants for the decking

- One-piece system deck with coated wood or steel grating; as an option, also with an access hatch
- Decking consisting of wooden planks

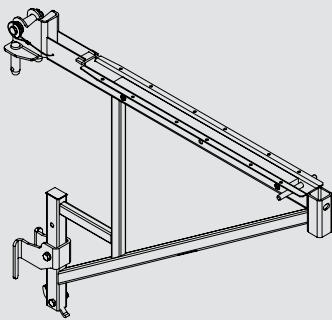
Design variants for the side protection

- One-piece side protection with PROKIT Side Mesh Barriers
- Multiple-part side protection with wooden handrail boards

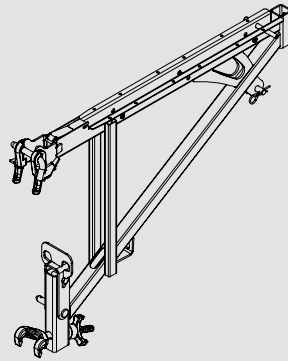
Optional supplements and variants

- Use of end guardrails on leading edges
- Use of compensation decks in the corners and for length compensations

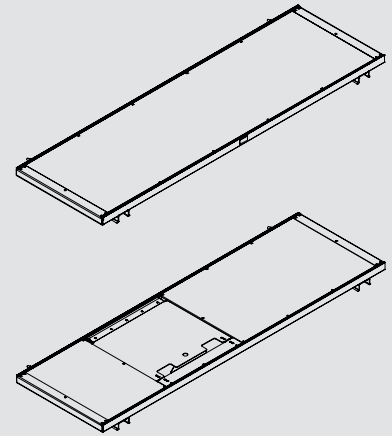
Core components for the standard solution



The Scaffold Bracket MXK is attached to the struts of the panel formwork; it serves as a support for the Scaffold Decks MXK. Alternatively, wooden planks can be nailed in from above or screwed in from below.



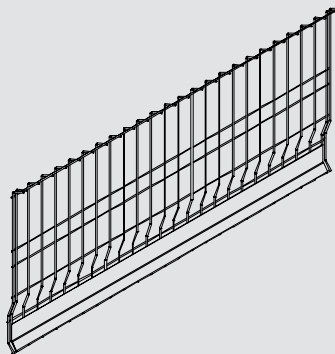
In addition, the Scaffold Bracket MXK-RS provides the possibility of connecting a push-pull prop directly to the bracket. With extended elements, it must be ensured that the push-pull props do not adversely affect the working area on the platform.



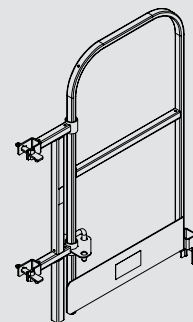
With lengths of 240 cm, 120 cm and 90 cm, the Scaffold Deck MXK can be adapted to suit the element widths of the MAXIMO and TRIO panel formwork. The working surface is available with a high-quality, coated wooden panel. As an alternative, steel decking is available on which water, snow and ice can accumulate only minimally. The 240 cm long decking is also available with an access hatch.



The PERI Guardrail Post MXK can be used with the Side Mesh Barrier PMB or hand-rail boards. The securing device at the base fixes the post in the bracket; in addition, toe board holders are integrated.



The one-piece Side Mesh Barrier PMB secures the working platform parallel to the formwork and is quickly installed. The available lengths are matched to suit the Scaffold Decks MXK. Alternatively, the Side Mesh Barrier PMB can also be used with PROKIT system components in order to secure open slab edges.



The Stopend rail MXK with integrated toe board secures the open edge of the working platform transversely to the panel formwork. It can be swivelled in both directions by 90° so that access to the next working platform is possible.

Safe application

High level of safety through the use of lightweight system components and assembly by hand on the ground

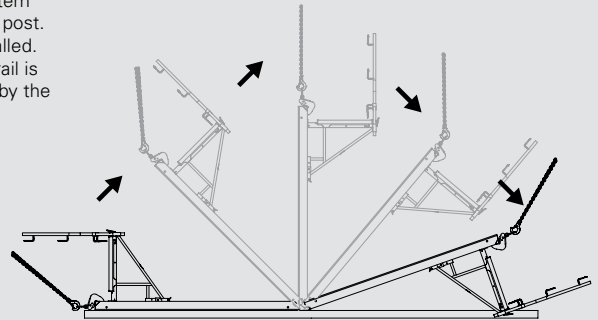
Assembly of the bracket system to the elements of the MAXIMO or TRIO panel formwork takes place horizontally on the ground. The required system components are very light and can be handled without the use of a crane.

The core components of the bracket system are lightweight and can therefore be easily mounted without using a crane. Very few different system components are required for the standard configuration. After mounting the brackets to the panel formwork, the selected decking variant is installed. This is particularly quick when using the one-piece scaffold decking as this is easily connected and hooked into a bolt.

The proven PERI Guardrail Post with Side Mesh Barriers PROKIT or handrail boards secure the open edge of the working platform. The corresponding stopend rails complete the working platform if required.



If the Bracket System MXK is mounted on the end of the top element, the formwork element is placed on the bracket system after mounting the guardrail post. This ensures that the guardrail is not subject to being loaded by the crane chain.



Low installation effort

Once-only assembly of the core components – also during temporary storage of the formwork



The formwork element can be laid down on its rear together with the mounted Bracket System MXK.

For temporary storage or when cleaning the elements, the formwork is laid down on the Bracket System MXK.

In order to keep the installation effort on the construction site as little as possible, the Bracket System MXK was designed so that the formwork can be put down on the platforms. The bracket

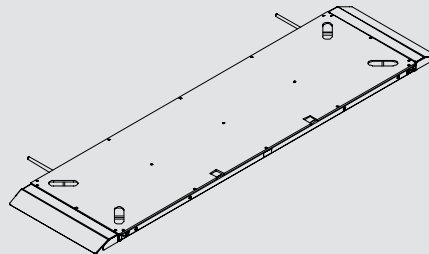
system remains on the element after one-time assembly and is removed only when the MAXIMO or TRIO elements are stacked.

After positioning the formwork element on its rear, the formlining can easily be cleaned on the ground. This increases the working comfort and safety even further.

Length compensations as well as internal and external corners

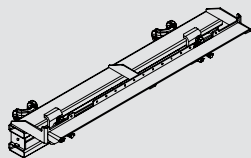
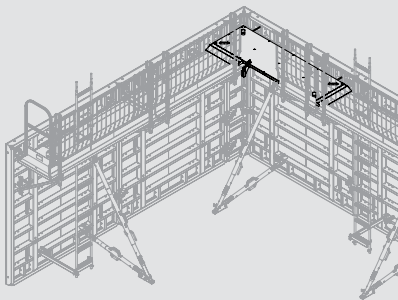
Length compensation with the compensation deck

For length compensations of up to 160 cm, the Compensation Deck MXK is used. The compensation deck is placed by crane on the available scaffolding platforms and adjusted centrally. The result is a trip-free, end-to-end safe decking surface.

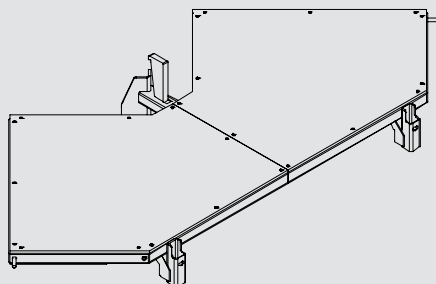


Execution of internal and external corners

On the internal corner, an internal corner adapter serves as a support for the compensation element.



The External Corner Deck MXK is mounted on the Scaffold Bracket MXK. Assembly takes place on a horizontally-positioned element.





**The optimal System
for every Project and
every Requirement**



Wall Formwork



Column Formwork



Slab Formwork



Climbing Systems



Bridge Formwork



Tunnel Formwork



Shoring Systems



Construction Scaffold



Facade Scaffold



Industrial Scaffold



Access



Protection Scaffold



Safety Systems



System-Independent Accessories



Services



PERI GmbH
Formwork Scaffolding Engineering
 Rudolf-Diesel-Strasse 19
 89264 Weissenhorn
 Germany
 Tel. +49 (0)7309.950-0
 Fax +49 (0)7309.951-0
 info@peri.com
 www.peri.com

Important Notes

Without exception, all current safety regulations and guidelines must be observed in those countries where our products are used. The photos shown in this brochure feature construction sites in progress. For this reason, safety and anchor details in particular cannot always be considered as conclusive or final. The information contained herein is subject to technical changes in the interests of progress. Errors and typographical mistakes reserved.